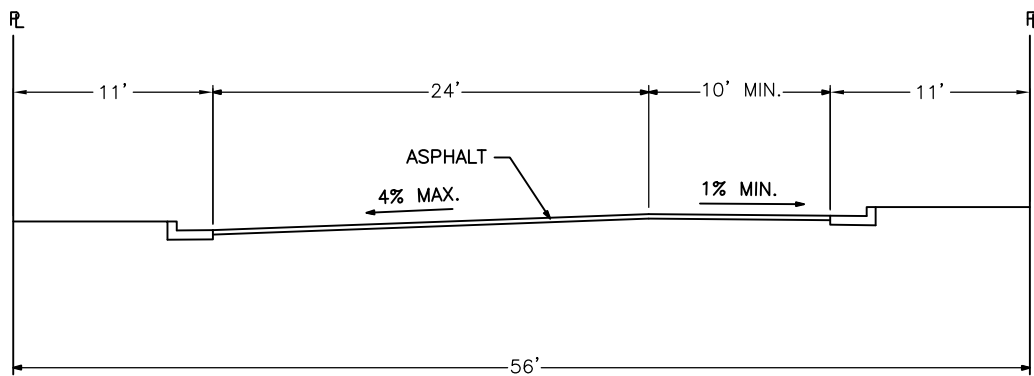
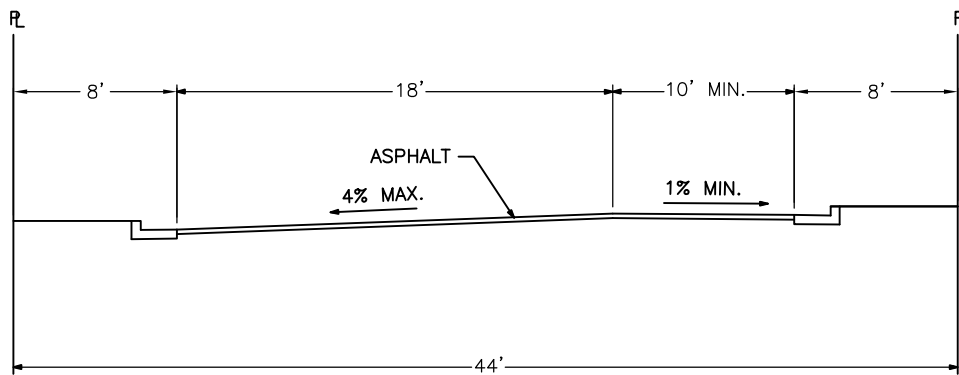


MINOR COLLECTOR



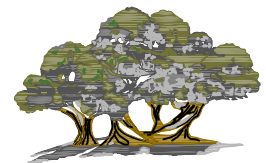
LOCAL STREET



RURAL STREET

GENERAL NOTES:

1. COORDINATE POTENTIAL IMPACTS TO CITY STORM DRAIN SYSTEM WITH CITY PUBLIC WORKS DIRECTOR, PRIOR TO CONSTRUCTION.



CEDAR HILLS

STANDARD
DRAWING NO.

204

CURBS AT UNEQUAL ELEVATIONS